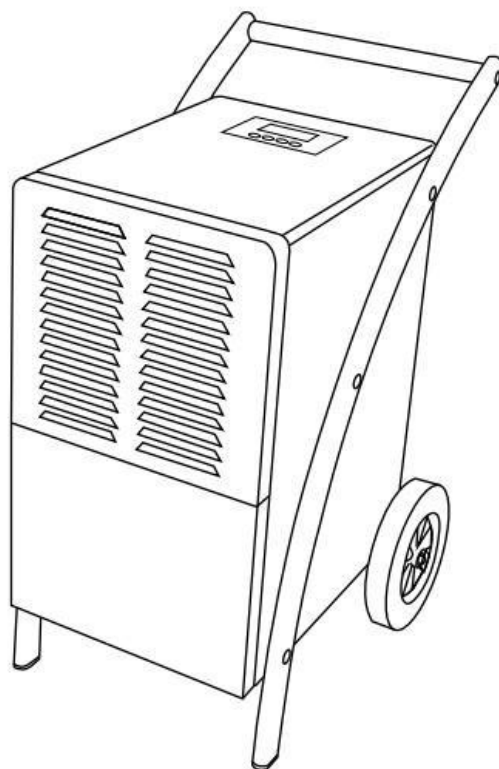


# DEHUMIDIFIER USER MANUAL

## CLDH-60



Please keep this manual for further reference

Dear customers:

Thank you for selecting this dehumidifier for your home and your family companion. This manual will show you the proper use and maintenance of this dehumidifier. Please take a few minutes to read this manual to become familiar with the entire performance.

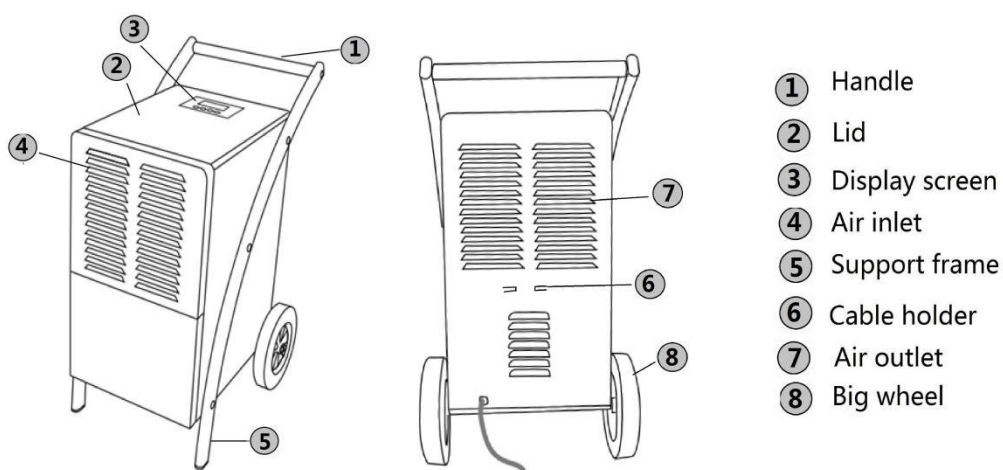
The dehumidifier will remove excess moisture from the air, creating a comfortable environment for your home and office. Its compact design allows you to easily move it to every room.

## SAFETY INFORMATIONS

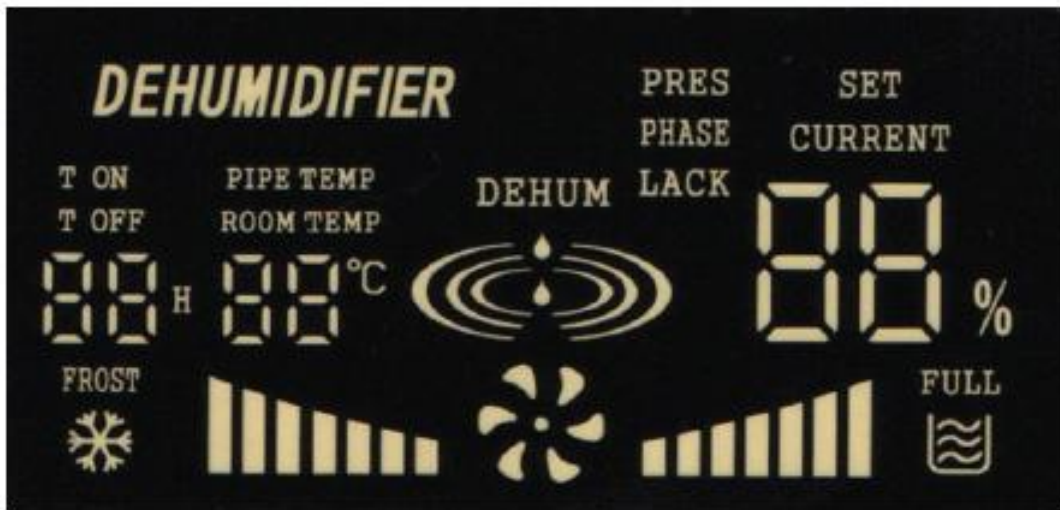
1. Carefully read the instruction manual and pay attention to the following safety instructions.
2. Keep the construction manual for future reference.
3. Check whether the mains voltage matches the one on the label of the device.
4. Do not pull the mains plug in order to unplug the device from the socket.
5. The socket has to be earthed and appropriately secured.
6. The building dryer must not be covered when used. Do not put clothes or other object on it . Only use the dryer on sturdy and even ground.
7. Repairs must be carried out by qualified experts with appropriate knowledge about the product.
8. Do not use adapter, additional connections or connecting plugs to connect the device with an electricity supply.
9. Do not put the device close to sources of heat,like radiators,radiant heaters etc.
10. Don't expose the product to direct sunlight or bad weather,like wind,storm& rain.
11. Do not use the products close to chemicals and acids. Those might damage the collection container or even the whole device.
12. Unplug the device if it is not used for a longer period or you want to clean it.
13. If you want to use the permanent drainage, make sure that the hose is not bended and the water can flow through unhindered. Do not use permanent drainage when temperature are very low and the water could freeze.
14. Make sure not to damage or run over cables when moving the device.
15. Protect the device from splashing water.
16. Unplug the device if problems like smell of burning occur while using it.
17. Only use an earthed standard socket with a 220-240V AC connection.
18. Make sure that neither dryer, nor mains plus,nor socket is dusty.

19. This appliance is intended to be used by expert or trained users in shops, in light industry and on farms,or for commercial use by lay persons.
20. The A-weighted emission sound pressure level at workstations does not exceed 70dB,the peak C-weighted instantaneous sound pressure value at workstations does not exceed 63Pa.
21. The product should be used on the back from the wall a distance of at least 30cm,the side away from the wall at least 50 cm.
22. This appliance is not intended for use by persons (including children) with reduced physical,sensory or mental capabilities, or lack of experience and knowledge,unless they have been given supervision or instruction concerning use the appliance by a person responsible for their safety.
23. Children should be supervised to ensure that they do not play with the appliance.
24. If the supply cord is damaged,it must be replaced by the manufacturer, its service agent or similarly qualified persons in order to avoid a hazard.
25. If the humidity of the working environment is less than 30%, the use of the dehumidifier is not recommended.

## PARTS LIST

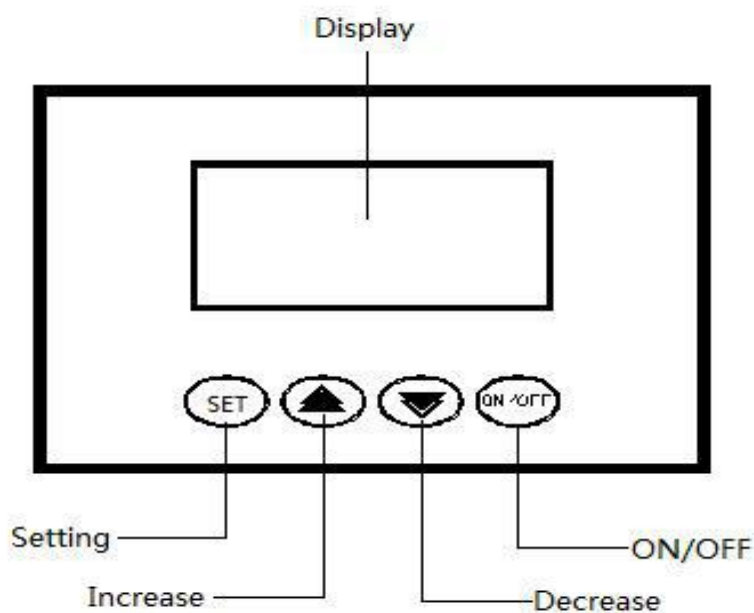


## KEYS AND DISPLAY SYMBOLS



### Display instruction:

1. Dehumidify mode--light means working , flashing means compressor works delay
2. Water tank full-- water tank is full, and the machine stops working.
3. Fan--the work status of fan.
4. Defrosting-- The machine is defrosting.
5. Temperature-- display the temperature in the room.
6. Humidity-- It displays the present humidity , flash means the setting humidity.
7. Timer-- Displays the time value of ON/OFF.



## Function of keys:

### 1) ON/OFF :

To connect with the power, press this button once, the machine starts to work. Press it again, the machine will stop working.

### 2) "SET", "INCREASE", "DECREASE"

- a. To press ON/OFF 1<sup>st</sup> time, the machine start to work, press SET once, humidity setting value flash, then press INCREASE or DECREASE to set the humidity value we need.
- b. To press SET 2<sup>nd</sup> time, TIMER value will flash, to press INCREASE or DECREASE to set the time for power off the machine.( If you need to set the time for auto power on the machine, please do it under the ON status. If you set both auto OFF and auto ON, the dehumidifier will be ON and OFF in return.)
- c. To press SET 3<sup>rd</sup> time, FAN will flash, to press "INCREASE" and "DEREASE" to adjust the speed of the fan. ( 2 grid means high speed fan, 1 grid means low speed fan )
- d. To press SET 4<sup>th</sup> time, LCD display turns back to the ON status as the beginning.

- a. Plug in the device. The device confirms this by a signal tone. Now the display shows the environmental moisture level.
- b. The level of humidification can be set from 10%(min.) up to 90%(max.). During this process dehumidification mode-key flashes.
- c. When you have reached the desired level wait for 5 seconds for the dehumidifier to save the value. The dehumidification mode-key stops flashing and the dehumidifier starts working. The display for environmental moisture level shows the different.
- d. Before operating, place machine on a horizontal, stable surface.
- e. The appliance shall be installed in accordance with national wiring regulations.
- f. The appliance is connected by the cord of H05VV-F 3G 1.5mm<sup>2</sup> with plug.

## COLLECTION CONTAINER FOR WATER

If the collection container is completely filled, the symbol " Filling Level Indicator " will show this. In addition, there will be an acoustic signal (for 5 seconds) and the device will stop dehumidifying.

## TECHNICAL INFORMATION

Name	Dehumidifier
Model	CLDH-60
Work Temp.	5° C-35° C
Capacity	60L/D
Voltage	220V/50Hz
Power	1080W
Fuse	T3.15A
Cooling Agent	R410/400g
Delivery	Without coolant
Air circulation	500m <sup>3</sup> /h
Defrosting pressure	2.5 MPa
Steam Pressure	1.0 MPa
Net weight	43 kgs

At low temperatures the device will start defrosting automatically. During this phase the cooling fan works properly but the inserted compressor switches itself off. The 'Automatic Defrosting' symbol and the 'FAN'-key flash.

### IMPORTANT INSTRUCTION

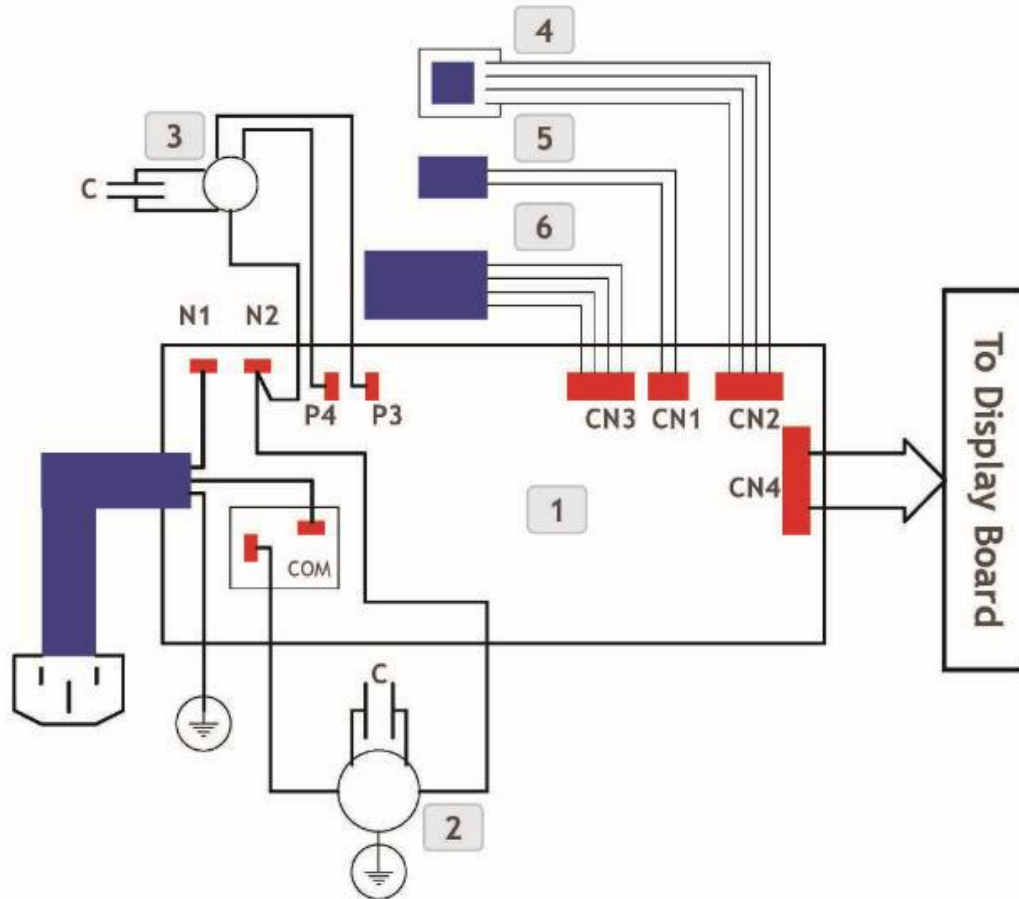
- The compressor turns itself on three minutes after turning on the dryer.
- The ideal temp for the dryer to work in is from about +5°C up to about +32°C.
- When the device defrosts the cooling fan works properly but the inserted compressor switches itself off.
- It is recommended to clean the filter once a month. Carefully clean it with clear warm water.
- Leave a safe distance between wall and air in- and air outlets.
- Unplug the device and attach the mains plug to the product if it is not in use over a longer period.
- This appliance is not intended for use by persons( including children) with reduced physical,sensory or mental capabilities.or lace of experience and knowledge,unless they have been given supervision or instruction concerning use of the appliance by a person responsible for their safety.
- Children should be supervised to ensure that they do not play with the appliance.
- If the supply cord is damaged,it must be replaced by the manufacturer, its service agent or similarly qualified persons in order to avoid a hazard.

### PERIOD OF PROCESSING



1. Waste electrical products should not be disposed of with household waste.
2. Please recycle where facilities exist.
3. Check with your local authority or local store for recycling advice.

## CIRCUIT DIAGRAM



1. Main Board

2. Compressor

3. Fan motor

4. Humidity Sensor

5. Temperature sensor

6. Photoelectric Switch



Note 1: Do not tilt the device more than 45°,neither when moving nor when operating.

Note 2: If the dryer was tilted by accident,do not use it for a period of 12 hours.

## CIRCUIT DIAGRAM

ERROR	REASON	SOLUTION
E1	Coil Sensor-Error	Exchange the coil sensor
E2	Moisture Sensor-Error	Exchange the moisture sensor
E3	Temperature Sensor-Error	Exchange the temperature sensor
E4	Hot and Cold System-Error	Have the dryer checked / repaired by a specialist
E5	Room Temperature too high	Lower the room temperature and dryer will restart automatically

❖ If an error occurs, display will show the respective code.

## ERROR ANALYSIS

ERROR	ERROR	SOLUTION
Dryer does not work	<ul style="list-style-type: none"> <li>● Device has no power</li> <li>● Mains plug is not plugged in properly</li> <li>● Display shows error code E4</li> </ul>	<ul style="list-style-type: none"> <li>● Turn on the power supply.</li> <li>● Connect the mains plug properly</li> </ul>
Bad Dehumidification Performance	<ul style="list-style-type: none"> <li>● Filter is dirty</li> <li>● Air in- or outlet is covered.</li> <li>● Room is not closed. Low moisture and temperature.</li> </ul>	<ul style="list-style-type: none"> <li>● Clean the filter.</li> <li>● Uncover Air in- and outlet</li> <li>● Close all doors and windows.</li> <li>● The lower the room temperature the worse the dehumidification performance.</li> </ul>
High Noise Level	<ul style="list-style-type: none"> <li>● Device was not put on even ground</li> <li>● Air in - or outlet is covered</li> </ul>	<ul style="list-style-type: none"> <li>● Position the device on even ground</li> <li>● Uncover Air in- and outlet</li> </ul>